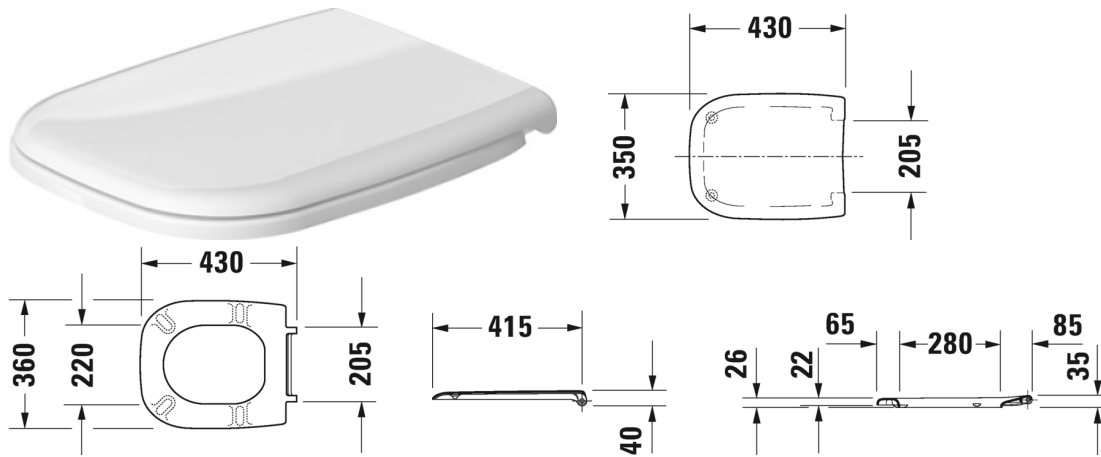


D-Code Toilet seat and cover # 0067310000 / 0067310099



Toilet seat and cover	Dimension	Weight	Order number
hinges stainless steel, without soft closure			
Colors			
00 White Alpin			
Variant			
		1.900 kilogram	0067310000
		1.900 kilogram	0067310099

All drawings contain the necessary measurements which are subject to standard tolerances. They are stated in mm and are non-binding. Exact measurements, in particular for customised installation scenarios, can only be taken from the finished piece.