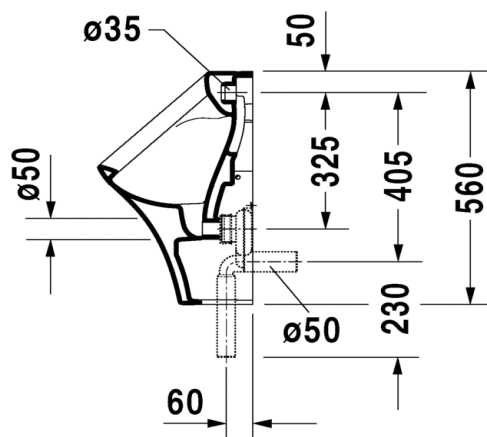
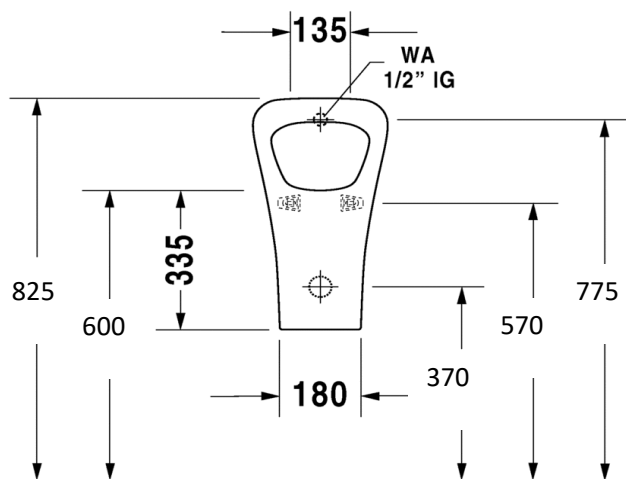
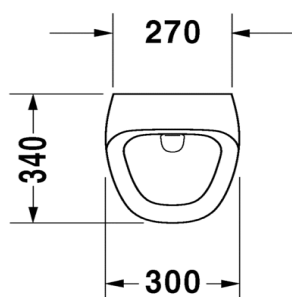


# TECHNICAL SCHEDULE



Duravit Durastyle urinal

Code: 2804.30



*Inspirational + European + Bathroomware*

t 09 444 5656

e info@metrix.co.nz

www.metrix.co.nz