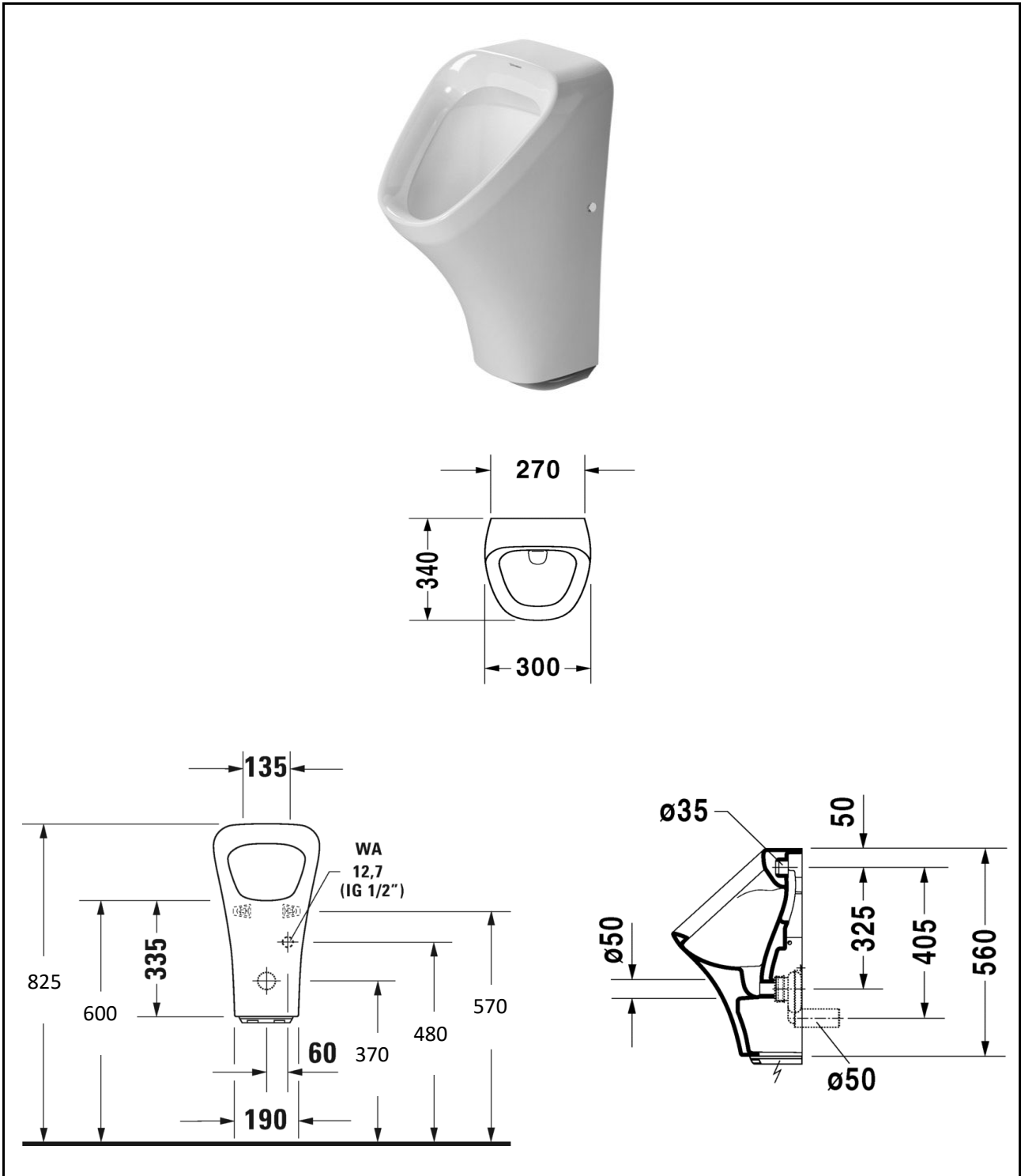


TECHNICAL SCHEDULE



Duravit DuraStyle electronic urinal for battery supply, concealed inlet

Code: 2804.31



Inspirational + European + Bathroomware

t 09 444 5656

e info@metrix.co.nz

www.metrix.co.nz