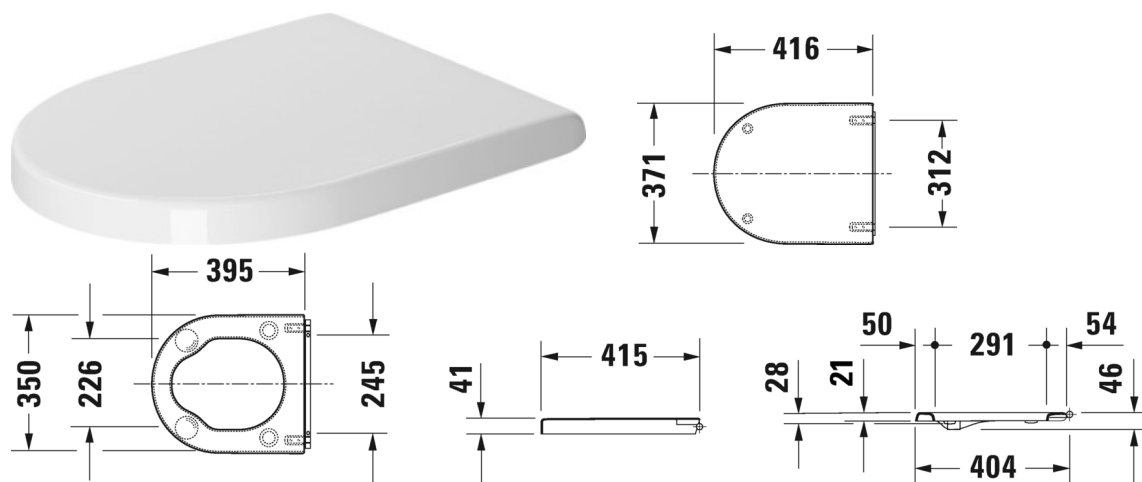


Starck 3 Toilet seat and cover # 0062410000



Toilet seat and cover	Dimension	Weight	Order number
with lateral reinforcement and extended hinge shaft, hinges stainless steel, without soft closure			
Colors			
00 White Alpin			
Variant			
		3.300 kilogram	0062410000
Suitable products			
Toilet wall mounted washdown model, suitable for barrier-free applications, projection 700 mm, UWL class 2, 360 x 700 mm	360 x 700 mm		220309
Toilet wall mounted Comfort washdown model, seat height + 50 mm, UWL class 2, 360 x 545 mm	360 x 545 mm		221509

All drawings contain the necessary measurements which are subject to standard tolerances. They are stated in mm and are non-binding. Exact measurements, in particular for customised installation scenarios, can only be taken from the finished piece.