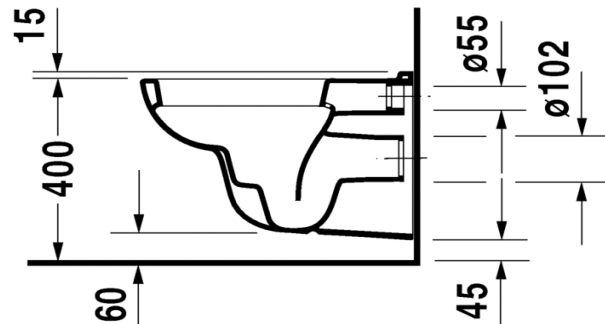
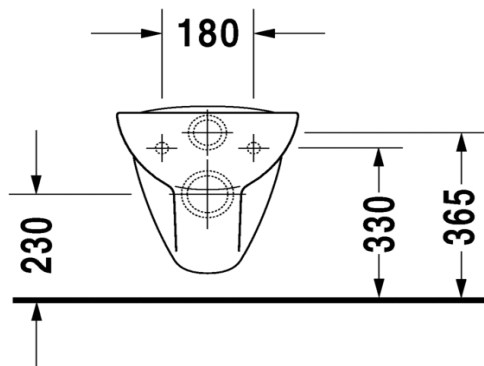
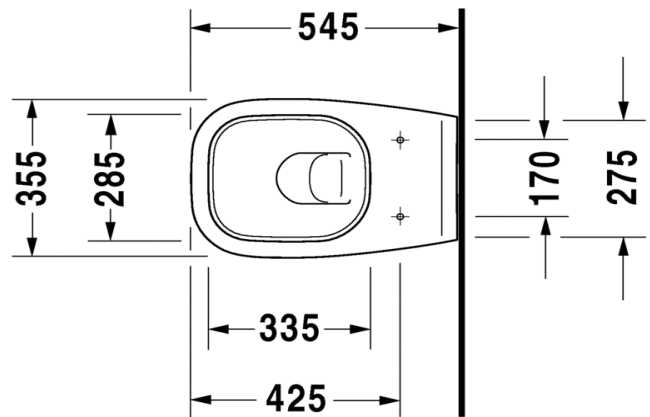


DURAVIT D-Code

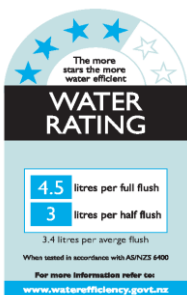
Duravit D-Code wall mounted toilet
 (Requires soft close seat 067.39 or standard seat 067.31)
2535.09

Requires Fixing Kit in retro-fit situations 400FK
 (normally pan fixings are supplied with the cistern)



10 Year warranty (Vitreous China)

WELS Rating: 4 Star - 4.5/3 L



Max. Operating Pressure: 500Kpa.

Min. Operating Pressure: 50Kpa.

Pipework must be flushed before installation

Please install as per manufacturers instructions in the box

Due to our policy of continuous product development, the design and specification shown are subject to change without notice.

Please confirm all particulars with your sales consultant prior to purchase.